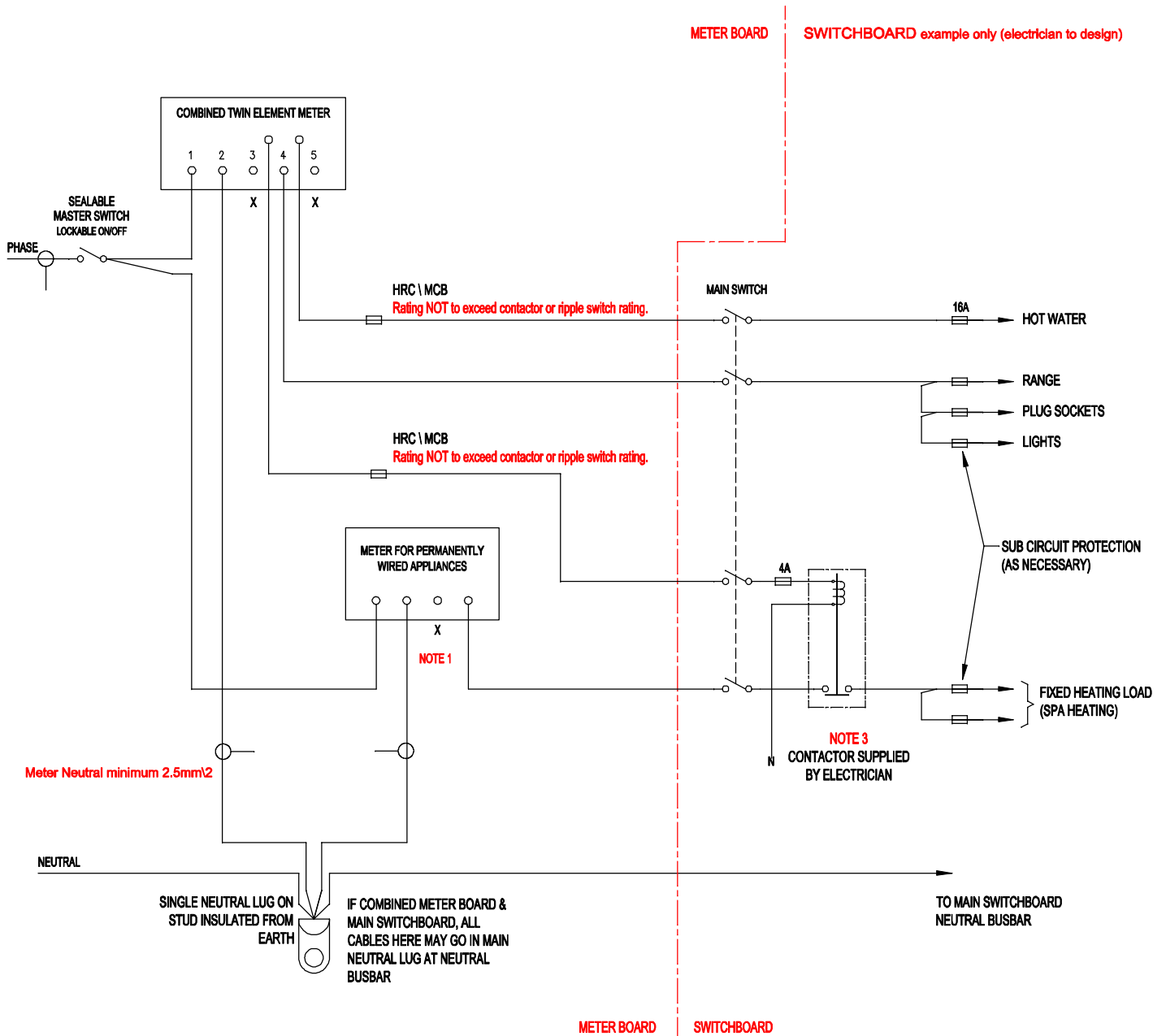


# Meter Wiring Single Phase Residential Options Permanently Wired Appliances And/Or Uncontrolled Hot Water

## OBSOLETE now for new installs



### NOTES:

\*Test house

- \*1. LEAVE ALL TERMINALS MARKED 'X' CLEAR.
- \*2 THE RIPPLE RELAY SWITCHES SHALL BE POSITIONED TO CORRESPOND WITH THE APPROPRIATE CHANNEL CODE FOR THE DESIRED SERVICE LEVEL.
3. If higher capacity required ripple relay must switch load via a contactor connected at customers distribution board (customer owned / maintained) Wiring between ripple relay & customers distribution board to correspond with the rating of this fuse

Metrix requires new meter panel pre-wiring at date of installation to comply with the current Electrical Wiring Regulations that are applicable  
Metrix drawings show configurations for correct requirements. Cable size / circuit protection to be as per regulations

© Copyright Metrix 2012

REV	DESCRIPTION OF REVISION	BY	CHK	DATE
△	GENERAL REVISION	BG	MK	May 2012
△	NOTES ADDED	ND	BC	May 2002
△	GENERAL ISSUE	ND	BC	Dec 2000

**METRIX**  
42 OLIVE RD PENROSE  
PRIVATE BAG 92008 AUCKLAND  
Phone: (09) 580 3900 Fax: (09) 580 394

Meter Wiring Single Phase Residential Options Permanently Wired Appliances And/Or Uncontrolled Hot Water				SCALE
Designed	METRIX	Checked	B. CAMERON	N.T.S
Drawn	N. DUKE	Approved	T. De VILLIERS	DRAWING CONTINUED ON SHEET:
Date	Dec 2000	File Name	MX00013101.DWG	DRAWING NUMBER
				REVISION
				C