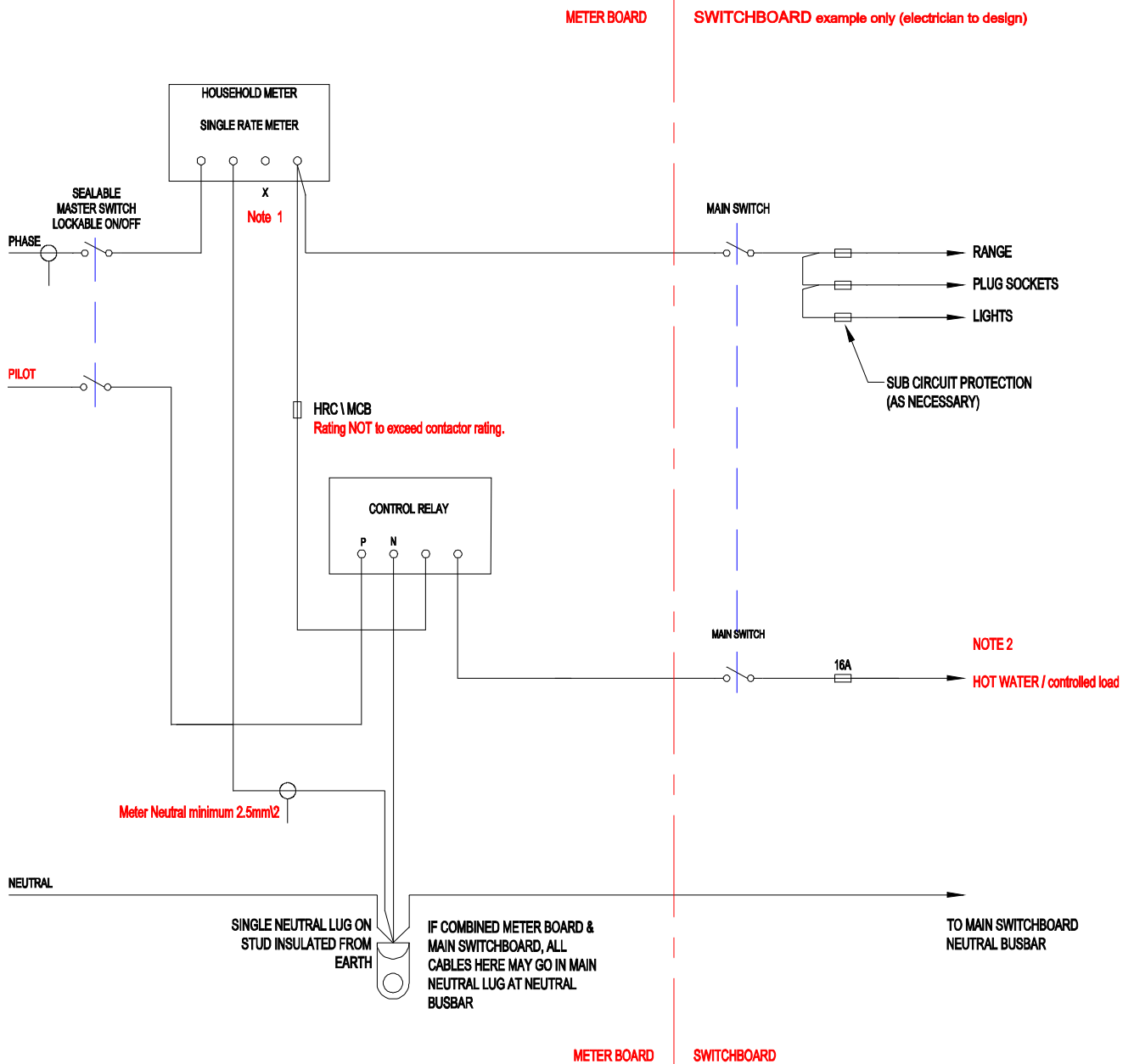


Meter Wiring Single Phase Residential Option

PILOT wire controlled load



NOTES:

* Test house

- *1. LEAVE ALL TERMINALS MARKED 'X' CLEAR.
- 2. If higher capacity is required than the Pilot Control Relay, the relay must switch the load via a contactor connected at customers distribution board (customer owned / maintained). Wiring between ripple relay & customers distribution board to correspond with the rating of this protection.

Metrix requires new meter panel pre-wiring at date of installation to comply with the current Electrical Wiring Regulations that are applicable
 Metrix drawings show configurations for correct tariff requirements. Cable size / circuit protection to be as per regulations

Copyright Metrix 2012	
SCALE	N.T.S
DRAWING CONTINUED ON SHEET:	
DRAWING NUMBER	REVISION
MX-000126-02UNL	A

△				
△				
△	GENERAL ISSUE	BG	MK	May 2012
REV	DESCRIPTION OF REVISION	BY	CHK	DATE

METRIX
 42 OLIVE RD PENROSE
 PRIVATE BAG 92008 AUCKLAND
 Phone: (09) 680 3900 Fax: (09) 680 394

METER WIRING SINGLE PHASE RESIDENTIAL OPTION PILOT wire controlled load			
Designed	METRX	Checked	M. KEATING
Drawn	B. GRAVATT	Approved	L.D.M.
Date	May 2012	Doc File Name	MX00012602UNL.DWG